

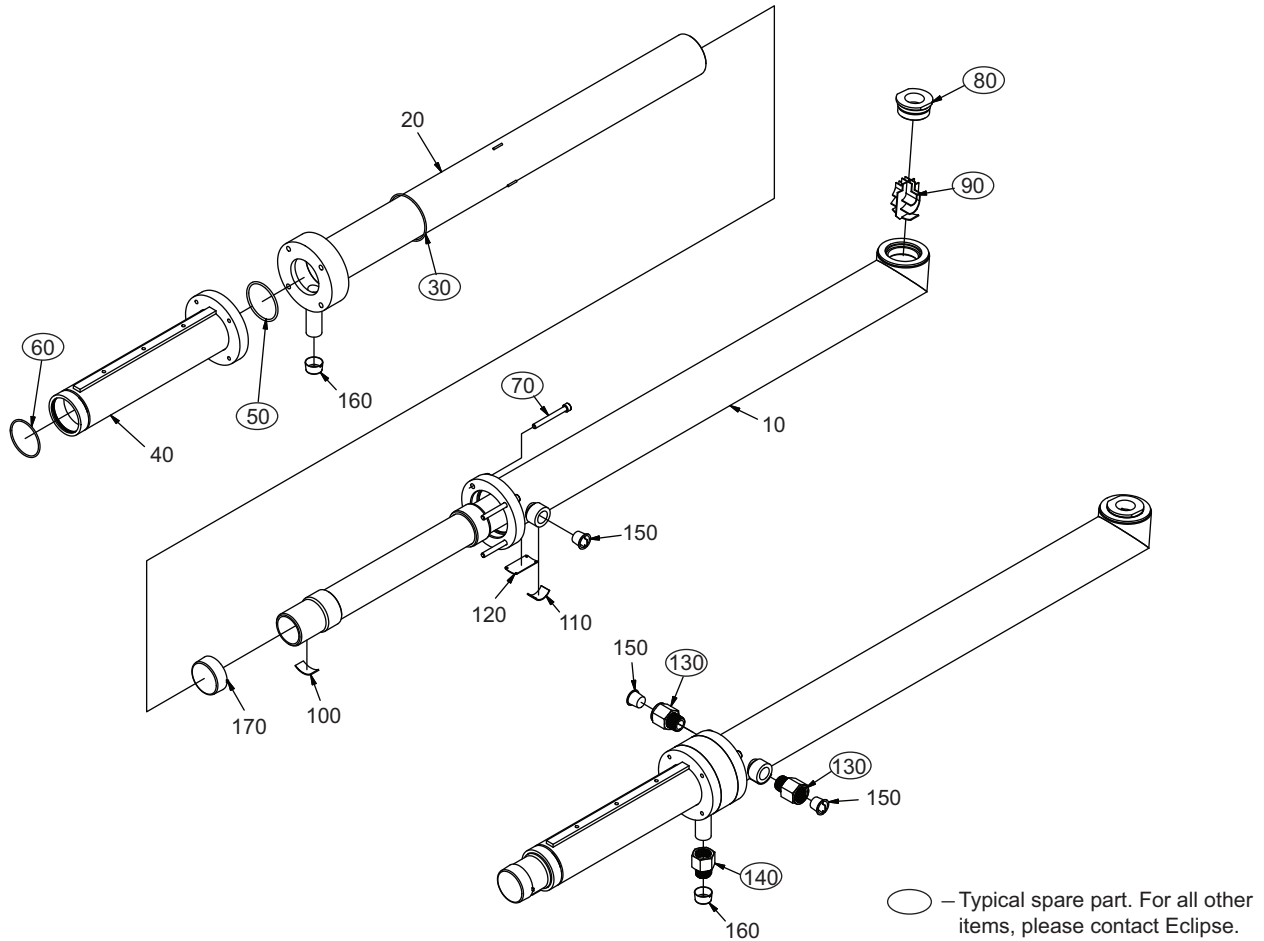
# Eclipse WTPUG Burners

Spare Parts List 1141-2

3/7/2014

Version 2.1

## 3.5" (89 mm) Diameter Water Jacket



Ref	Part Number	Description
30	10061573	O-Ring, 3.237" ID x 0.103" Cross Section
50	10061574	O-Ring, 2.609" ID x 0.139" Cross Section
60	10061572	O-Ring, 2.550" ID x 0.103" Cross Section
70	10061723	Screw
80	101012330	Gas Nozzle, 20.0 mm Bore
80	101012331	Gas Nozzle, 22.5 mm Bore
80	101012332	Gas Nozzle, 25.0 mm Bore
80	101012333	Gas Nozzle, 27.5 mm Bore
80	101012334	Gas Nozzle, 30.0 mm Bore
80	101012335	Gas Nozzle, 32.5 mm Bore
80	101012336	Gas Nozzle, 35.0 mm Bore

Ref	Part Number	Description
80	101012337	Gas Nozzle, 37.5 mm Bore
80	101012338	Gas Nozzle, 40.0 mm Bore
80	101012339	Gas Nozzle, 42.5 mm Bore
80	101012340	Gas Nozzle, 45.0 mm Bore
90	101019293	Nozzle Insert, 5 Degree, 20.0 mm Outlet
90	101019294	Nozzle Insert, 10 Degree, 20.0 mm Outlet
90	101019295	Nozzle Insert, 15 Degree, 20.0 mm Outlet
90	101019296	Nozzle Insert, 20 Degree, 20.0 mm Outlet
90	101019297	Nozzle Insert, 5 Degree, 22.5 mm Outlet
90	101019298	Nozzle Insert, 10 Degree, 22.5 mm Outlet

(Continued on the next page)

Ref	Part Number	Description
90	101019299	Nozzle Insert, 15 Degree, 22.5 mm Outlet
90	101019300	Nozzle Insert, 20 Degree, 22.5 mm Outlet
90	101019301	Nozzle Insert, 5 Degree, 25.0 mm Outlet
90	101019302	Nozzle Insert, 10 Degree, 25.0 mm Outlet
90	101019303	Nozzle Insert, 15 Degree, 25.0 mm Outlet
90	101019304	Nozzle Insert, 20 Degree, 25.0 mm Outlet
90	101014268	Nozzle Insert, 5 Degree, 27.5 mm Outlet
90	101019305	Nozzle Insert, 10 Degree, 27.5 mm Outlet
90	101019306	Nozzle Insert, 15 Degree, 27.5 mm Outlet
90	101019307	Nozzle Insert, 20 Degree, 27.5 mm Outlet
90	101019308	Nozzle Insert, 5 Degree, 30.0 mm Outlet
90	101019309	Nozzle Insert, 10 Degree, 30.0 mm Outlet
90	101019310	Nozzle Insert, 15 Degree, 30.0 mm Outlet
90	101019311	Nozzle Insert, 20 Degree, 30.0 mm Outlet
90	101019312	Nozzle Insert, 5 Degree, 32.5 mm Outlet
90	101019313	Nozzle Insert, 10 Degree, 32.5 mm Outlet
90	101019314	Nozzle Insert, 15 Degree, 32.5 mm Outlet
90	101019315	Nozzle Insert, 20 Degree, 32.5 mm Outlet
90	101014193	Nozzle Insert, 5 Degree, 35.0 mm Outlet
90	101019316	Nozzle Insert, 10 Degree, 35.0 mm Outlet
90	101019317	Nozzle Insert, 15 Degree, 35.0 mm Outlet
90	101019318	Nozzle Insert, 20 Degree, 35.0 mm Outlet
90	101019277	Nozzle Insert, 5 Degree, 37.5 mm Outlet
90	101019278	Nozzle Insert, 10 Degree, 37.5 mm Outlet
90	101019279	Nozzle Insert, 15 Degree, 37.5 mm Outlet
90	101019280	Nozzle Insert, 20 Degree, 37.5 mm Outlet
90	101019281	Nozzle Insert, 5 Degree, 40.0 mm Outlet
90	101019282	Nozzle Insert, 10 Degree, 40.0 mm Outlet
90	101019283	Nozzle Insert, 15 Degree, 40.0 mm Outlet
90	101019284	Nozzle Insert, 20 Degree, 40.0 mm Outlet
90	101019285	Nozzle Insert, 5 Degree, 42.5 mm Outlet
90	101019286	Nozzle Insert, 10 Degree, 42.5 mm Outlet
90	101019287	Nozzle Insert, 15 Degree, 42.5 mm Outlet
90	101019288	Nozzle Insert, 20 Degree, 42.5 mm Outlet
90	101019289	Nozzle Insert, 5 Degree, 45.0 mm Outlet
90	101019290	Nozzle Insert, 10 Degree, 45.0 mm Outlet
90	101019291	Nozzle Insert, 15 Degree, 45.0 mm Outlet
90	101019292	Nozzle Insert, 20 Degree, 45.0 mm Outlet
130	101019642	Pipe Adapter 3/4" NPTM x BSPF
140	101019643	Pipe Adapter 3/4" BSPF x NPTM