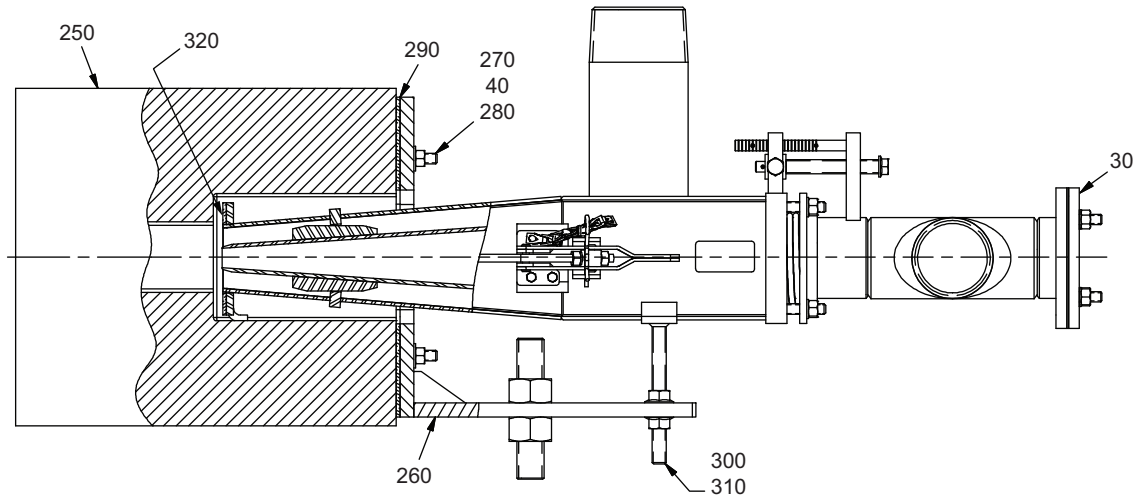


Eclipse PrimeFire 300 Burners

2 to 8 MM Btu/h
Spare Parts List Edition 3.15

Version 1



| Ref | Part Numbers | Description |
|-----|--------------|---|
| 30 | 019018 | Gas Inlet Assembly Plate |
| 30 | 019085 | Oil Insert Assy |
| 30 | 019085-1 | Oil Insert Assy, w/Quick Disconnects |
| 40 | 3816HHNS | Hex Nut, 3/8-16 |
| 250 | D998702108 | Refractory Combustor |
| 260 | 019055 | Burner Block Mounting Flange |
| 270 | 38FWS | Flat Washer, 3/8 in. |
| 280 | A920903556 | T-Bolt, 3/8-16 X 3-1/4 in. |
| 290 | 019015 | Mounting Flange Gasket, Burner To Pre-Combustor |
| 300 | 019061 | Support Stand |
| 310 | 19898 | Lock Nut, 1/2-13 |
| 320 | 019016 | Front Flange Gasket |
| N/S | 019017 | Inlet Body Gasket |
| N/S | 019067 | Oil Tube Insert, 2-8 MM Btu/h |